



L.K Machinery Corp.

A **Global**  
MACHINING CENTER MANUFACTURER



力勁機械股份有限公司(中科廠)  
L.K. Machinery Corp. (TAIWAN)

40763 台中市西屯區科園路30號  
No.30, Keyuan Rd., Xitun Dist. Taichung City 40763, Taiwan  
TEL: +886-4-2461-9797 FAX: +886-4-2463-7695  
E-mail: lktw\_sales@lkmachinery.com.tw  
www.lkmachinery.com.tw



**All new**  
**TAPPING CENTER**

*The Combination of Efficiency and Reliability*  
*LK High Speed Tapping Center Series*

- Ultra compact High Speed CNC Tapping Center
- Over 6000 sets field tested by world's largest mobile phone brands
- A Tapping Center known for Best Value
- Taiwan's largest exporter for Tapping Centers

**CE ISO 9001**

2017051000

# Built with Passion for Quality and Efficiency

LK Tapping Center Series is engineered for quality mass production with extraordinary yield rate. Led by a Seasoned Machining Center Design Expert, all LK Tapping Centers are designed for accuracy and reliability.

## TC-510



## TC-710

### Unmatched Productivity

From structural analysis to actual metal cutting, each Tapping Center produced by LK, displays the optimum performance that meets your most rigorous demands.

### Speed is Everything



The 3 axes' motors are direct coupled with servo motors. The backlash-free design powers the axial motion to its optimum level, featuring no noise, low temperature rise and the high accuracy.



For every high productivity workshop, every second counts. To reach the maximum cutting performance, LK TC series machine employs a low inertia spindle motor\* featuring high torque output during low speed range, as well as high acceleration/deceleration output, to reduce tapping time a minimum.

Spindle Acc/Dec from 0 - 15000 rpm: 1.4 Sec.

\*Optional



## Two Machines in One

The design of traveling column TC-1200 allows two separate working areas that function the same as a pallet changer, or alternatively a large long work piece can be machined in one setup.

### Wide Application Range

The powerful performance of LK Tapping Centers is widely applied in automobile, computer, communication electronics, watch, jewelry, aerospace and medical equipment industries.

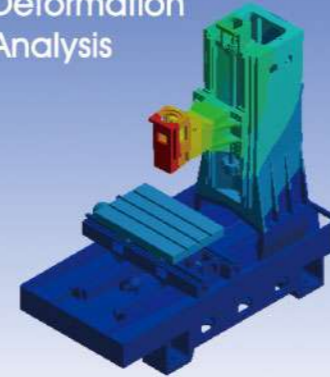
**TC-1200**



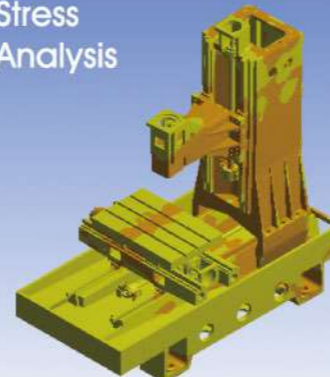
## FEA Design

Through Finite Element Analysis, machine structure is optimized for the best performance.

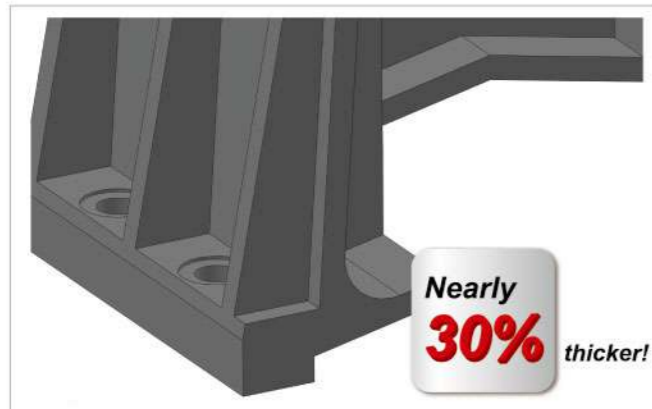
### Deformation Analysis



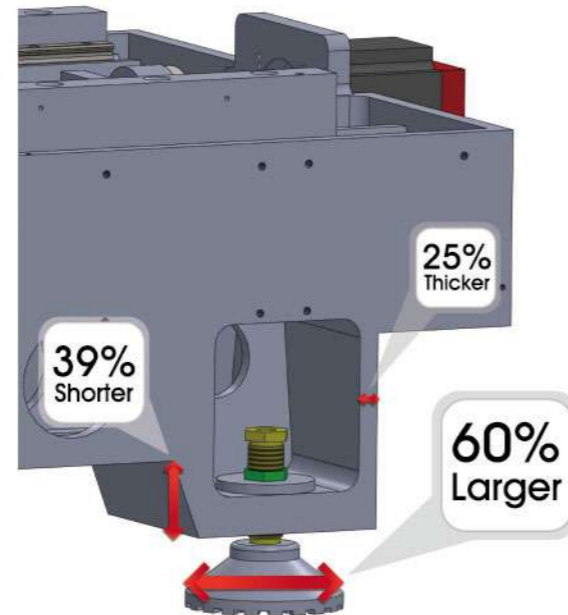
### Stress Analysis



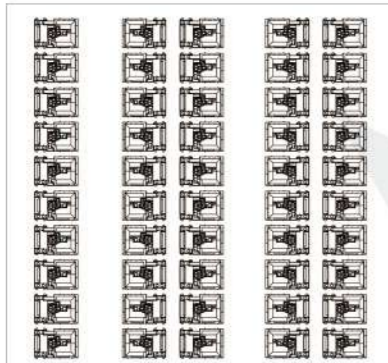
## Enlarged Foundation Block and Strengthened Machine Base



LK engineering team focuses on every small detail to optimize machine's rigidity and reliability.

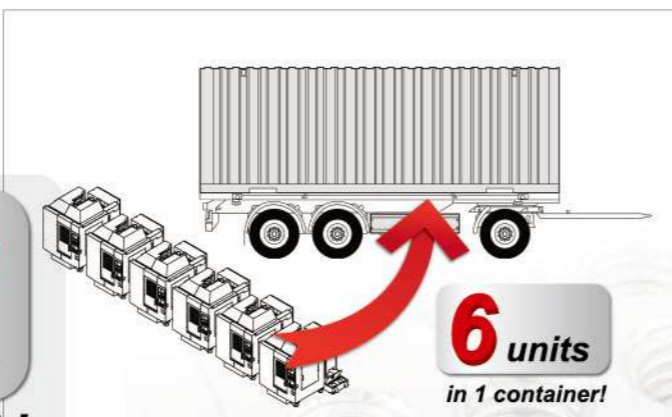


## Maximum Cutting Area with Minimum Floor Space Required

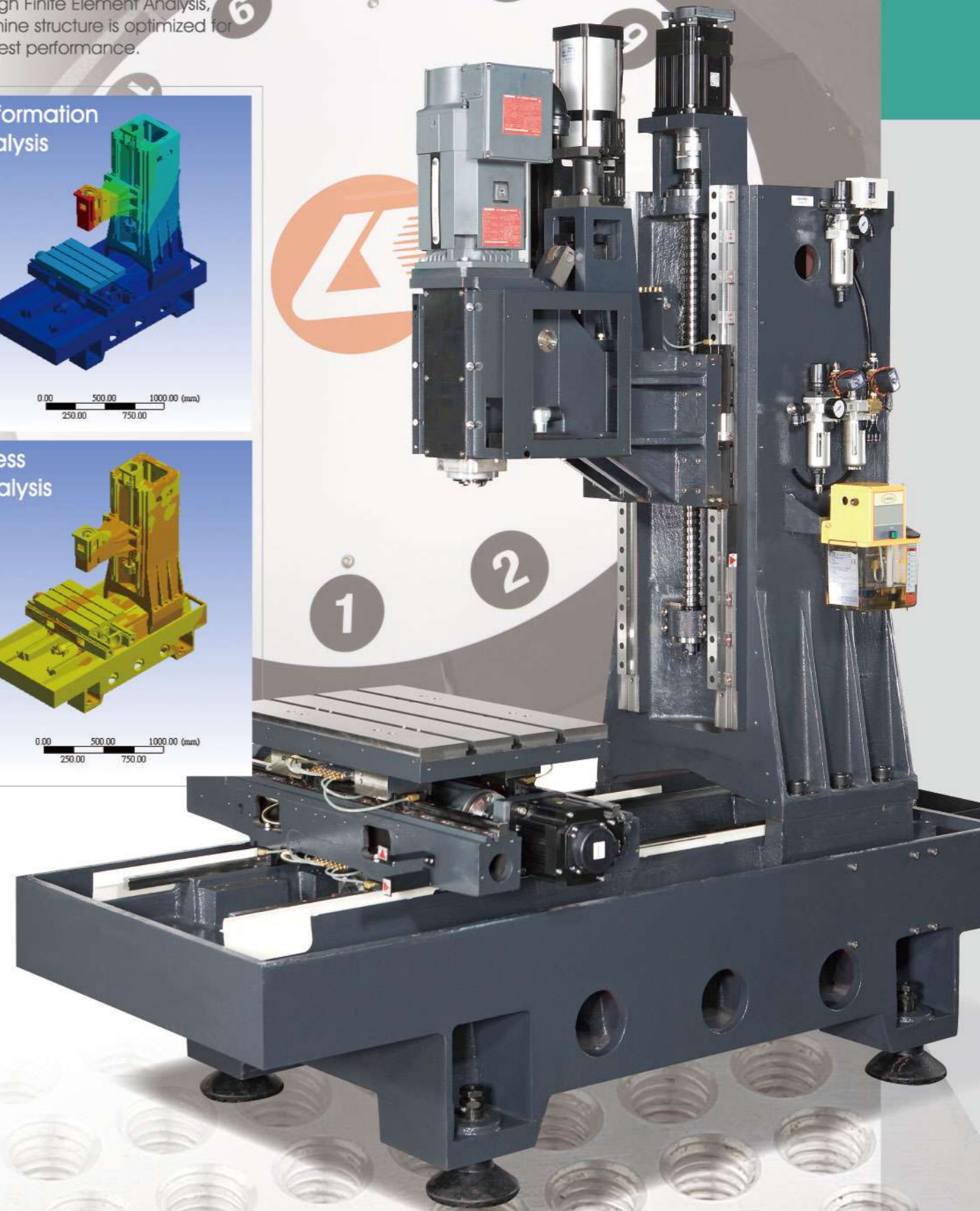


The small footprint of the TC-510 allows 50 machines to fit in, only 5,000 square feet of space.

**50**  
machines  
**5000 ft<sup>2</sup>!**

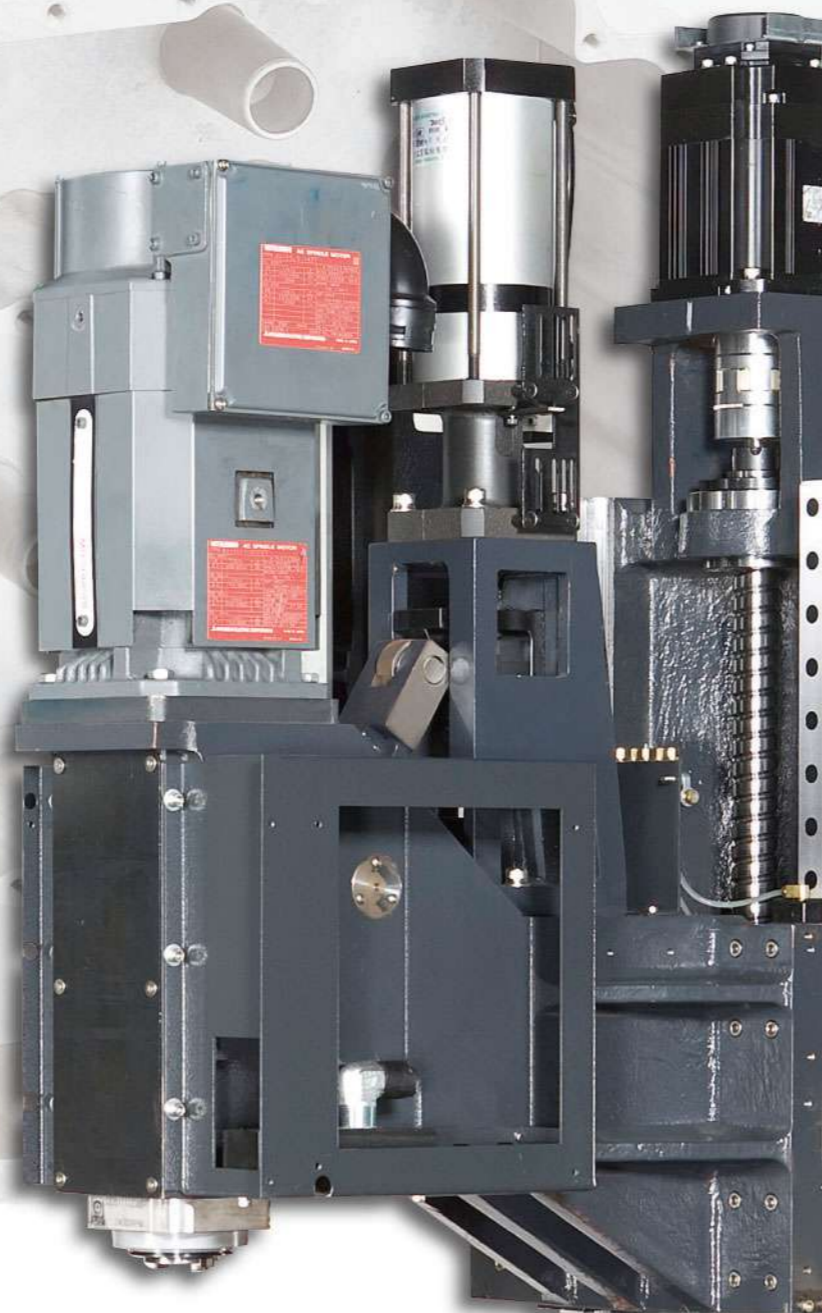


**6** units  
in 1 container!





Spindle Vibration Test in Y Direction



### No-Counter Balance Design

An oversized Z Axis motor, direct coupled with ball screw, eliminates the need to have a mechanical counter balance. This design produces better surface finishes so best cutting surface finish can be achieved.



### Smooth Motion

Linear motion guideways and pre-tensioned ball screws on X/Y/Z axes are installed to deliver more torque and thrust, featuring low thermo deformation and high dynamic positioning accuracy.

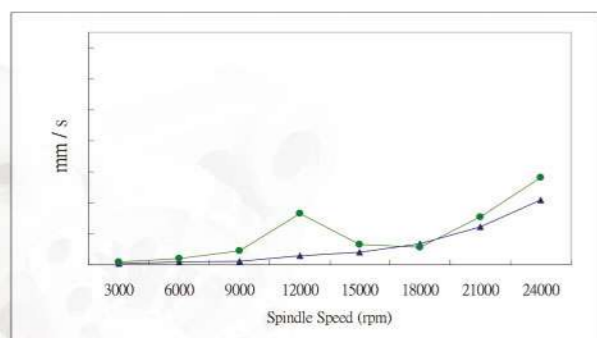


### Z Axis Flexible Cover

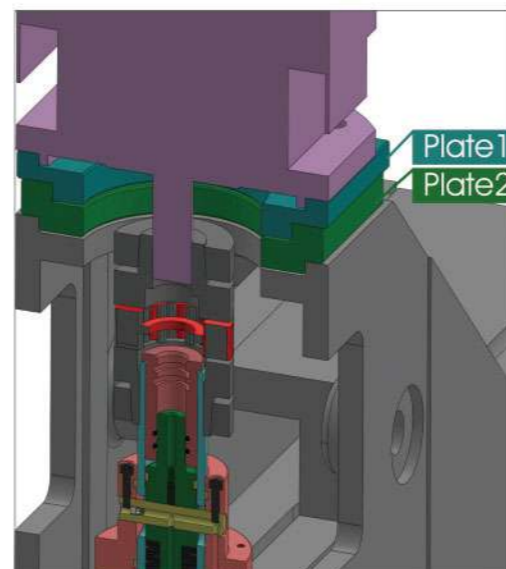
The telescopic covers on 3 axes are specially designed to protect ball screws and linear guideways under the high rapid traverse of max. 48 (to 60 M/min)(opt.) per minute.

### Better Concentricity Between Motor Shaft and Spindle

LK's two-plate spindle motor seat design adds more adjustment with lower tolerances. This produces better concentricity between the motor shaft and spindle, Reducing vibration and improving over all performance.



▲ Vibration of two plate ● Vibration of Single plate



### Reliable ATC Unit

**TC-510/710 is standard equipped with Turret type ATC; while TC-1200 is fitted with Arm Type.**

The Turret Type ATC provides rapid tool change time of 2.3 and Arm Type (Servo) 1.7 second (opt.) with impeccable reliability, suitable for high productivity 7/24 operation.



**Design and mechanism tested over**

**400,000 times.**

## Rear Chip Disposal

Cutting chips are efficiently conveyed to the rear side of machine with large flow coolant, and with the lift-up type chip conveyor (optional), chip removal is reliable and efficient.

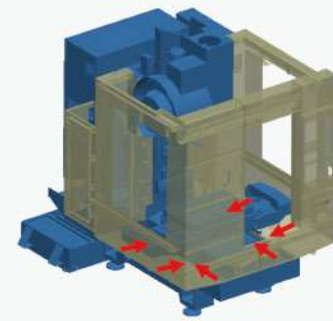
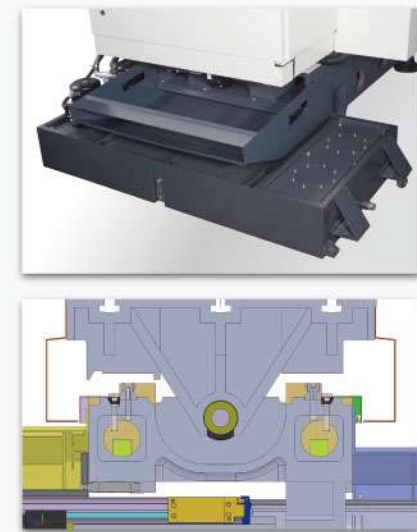


**Chips**

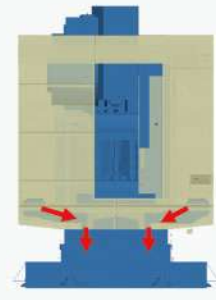
Removing cutting chips efficiently from the cutting area is part of a critical know-how concerning stable long time operation. LK understands the importance of this issue, and designs the machine with various chip flushing / conveying mechanism to meet the demands.

## Complete Chip Protection

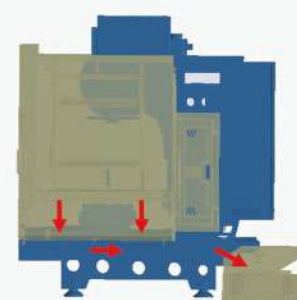
Our new generation telescopic cover effectively prevents the ingress of chips from entering the 3 axes transmission structure.



Isometric view



Front view



Right view

## Automation



### Right Angle / Universal Milling Head

For additional machining versatility, the Right Angle Milling Head / Universal Milling Head is capable of boosting high efficiency and accuracy especially for complicated workpieces. The Multi-purposes purposes milling head does not require any changes to the machine structure, it is suitable for auto parts, mold making and aerospace industry.



### Auto Vise

Suitable for mass production processes, the Auto Vise features rapid workpiece clamping and unclamping. The adjustable clamping force prevents thin workpieces from collapsing due to improperly applied clamping force. The PLC-controlled vise is suitable for mass production jobs such as forged components, various hardware and automobile parts.



### Robot:

The Industrial Robot is the best solution for handling high frequency loading / unloading jobs. In combination with automatic vacuum fixtures, the performance of robots reach their maximum cost-performance ratio, which is suitable for high volume production applications



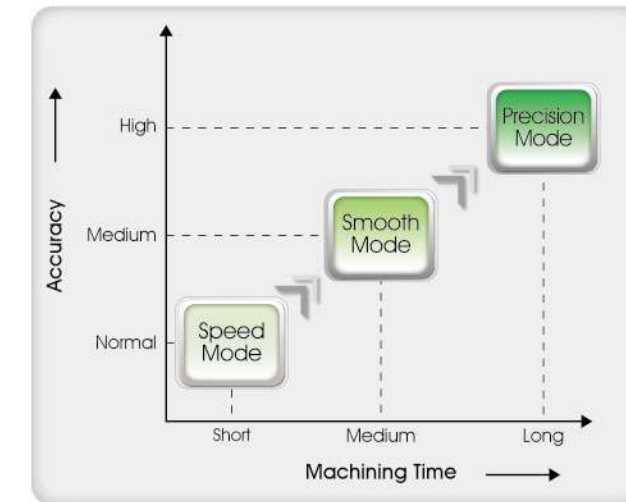
### 4th / 5th Rotary Table

Featuring high accuracy and high efficiency, the complicated or multiple-face workpieces can be finished in one setup by using a 4+1 axis Rotary Table. The market demand for diverse high accuracy and complicated parts is growing rapidly, the accumulation of machining tolerance must be reduced to the minimum, thus the 4+1 axis Rotary Table is the answer to the high value-added machining demands.



## Custom Parameter Package Setting for Multiple Machining Modes

The CNC system offers 3 customer defined cutting modes. With these modes, proven motion control cutting parameters can be recalled from a standard library.

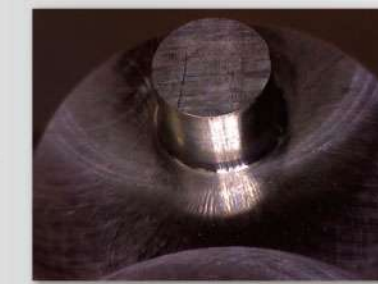


These user friendly controller functions allow customers to switch jobs without the need to change numerous motion control's system parameters.



### Speed Mode: More Speed, Less Time

Suitable for:  
Automobile / Motorcycle parts  
Machinery components  
Aluminum Parts  
Smart phone cases  
Work pieces of mass production



### Smooth Mode: Balance of Speed and Time

Suitable for:  
Optical electronics  
Forging molds  
Glass molds  
Shoe molds  
Work pieces that require good surface finishes



### Accuracy Mode: Extremely High Precision

Suitable for:  
Medical equipments  
Aerospace parts  
Semi-conductor related parts  
5-axis machining  
All hard milling parts

	Surface Finish	Time	Curve Accuracy (Radius Tolerance)
<b>First</b>	Rough	Fast	0.101 mm
<b>Mid</b>	Medium	Medium	0.059 mm
<b>Finish</b>	Excellent	Slow	0.005 mm

## Cutting Performance

LK Tapping Centers feature extraordinary cutting capability. Via multiple parameter settings from the CNC, the work piece can be made according to the most demanding jobs.



DRILLING CAPACITY - 1

Average Tact Time / Per Hole	1.52 Sec.	
Tool	Ø 0.5 mm Drill	
Material	AL 6061	S45C
Spindle Speed	16000 rpm	9600 rpm
Feedrate	380 mm/min.	170mm/min
Depth	4 mm	4mm



DRILLING CAPACITY - 2

Average Tact Time / Per Hole	1.52 Sec.	
Tool	Ø 20 mm Drill	
Material	AL 6061	S45C
Spindle Speed	810 rpm	500 rpm
Feedrate	410 mm/min.	200 mm/min.
Depth	30 mm	30 mm



TAPPING CAPACITY - 1

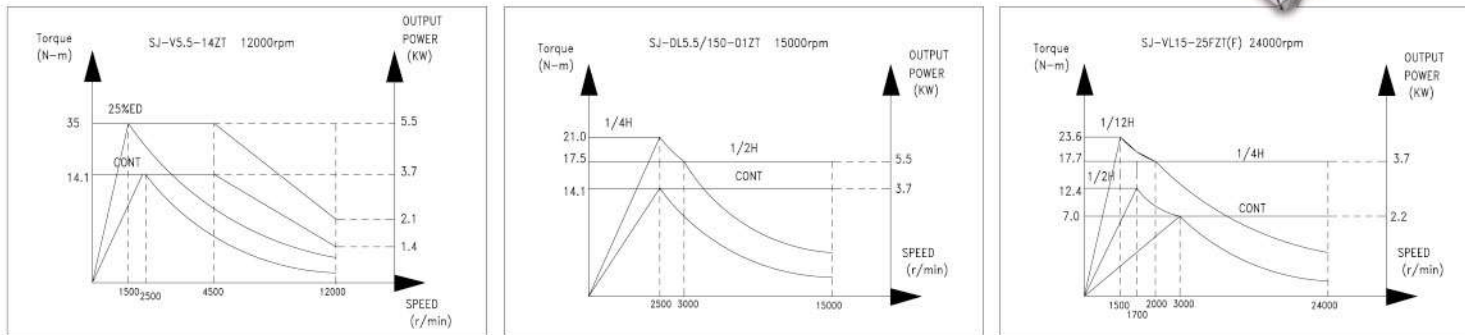
Average Tact Time / Per Hole	2.2 Sec.	
Tool	M1 X P0.25 Tap	
Material	AL 6061	S45C
Spindle Speed	6000 rpm	2000 rpm
Feedrate	1500 mm/min.	500 mm/min.
Depth	6 mm	6 mm



TAPPING CAPACITY - 2

Average Tact Time / Per Hole	2.2 Sec.	
Tool	M18 X P2.5 Tap	
Material	AL 6061	S45C
Spindle Speed	400 rpm	300 rpm
Feedrate	1000 mm/min.	750 mm/min.
Depth	30 mm	30 mm

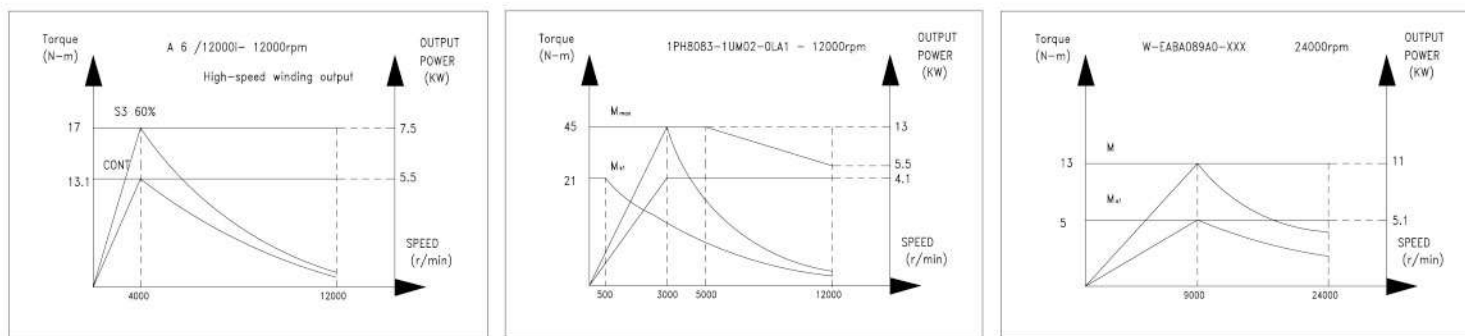
## Power Chart



Mitsubishi

Mitsubishi

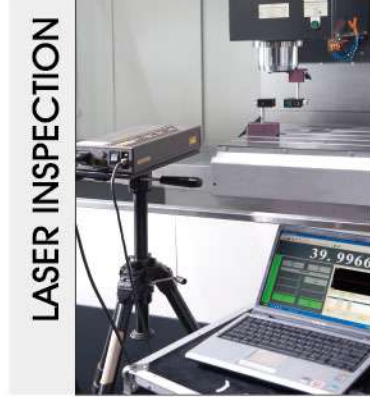
Mitsubishi



Fanuc

Siemens

Siemens



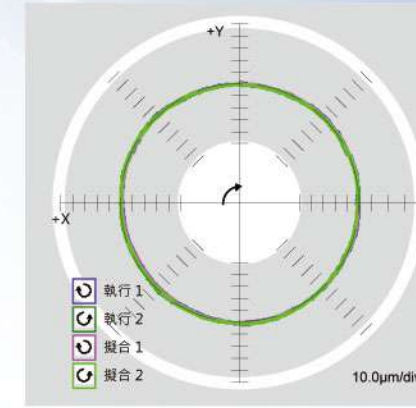
LASER INSPECTION

All 3 ball screws are Laser inspected. The backlash thoroughly checked and automatically compensated by the CNC, enhancing the maximum positioning as well as repeatability accuracy of the machine.



BALL BAR TEST

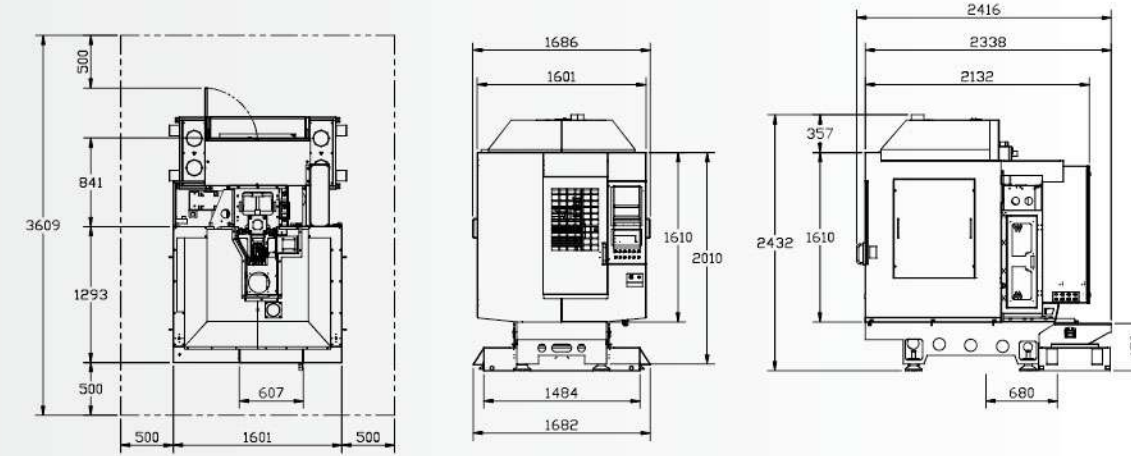
For machine's overall geometric accuracy, the Ball Bar Test is conducted on every machines to ensure the optimum cutting performance in roundness, squareness, concentricity, parallelism, and perpendicularity.



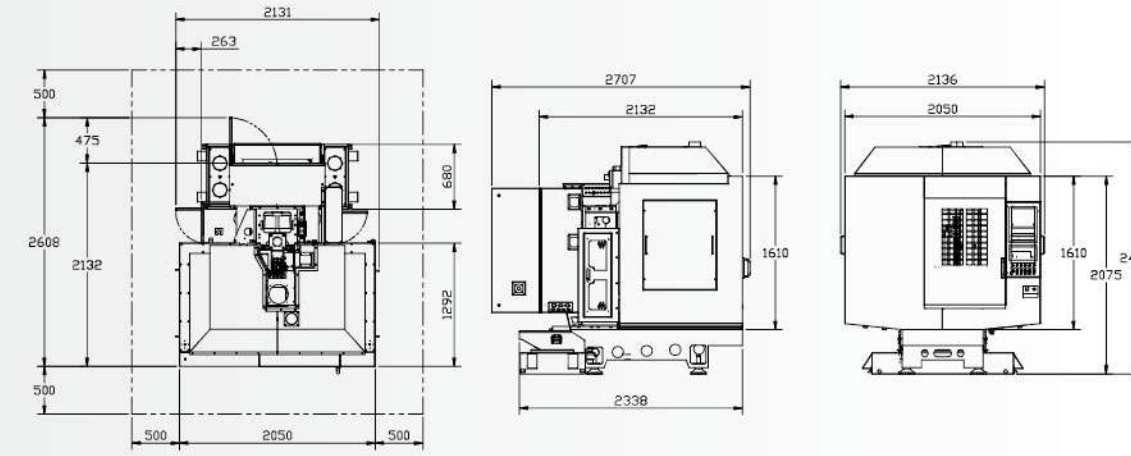
Roundness: 4.5 µm

## Floor space

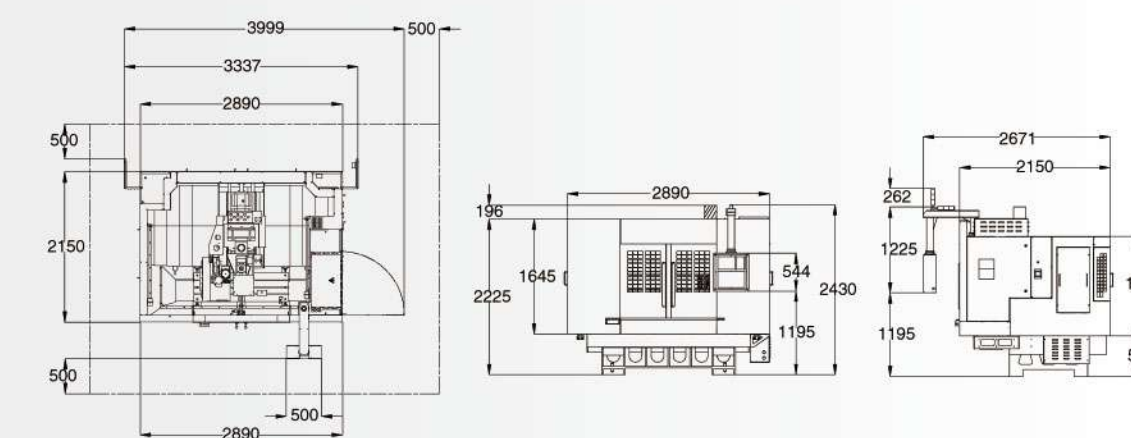
TC-510



TC-710



TC-1200



## SPECIFICATIONS

Item/Model	Unit	TC-510		TC-710		TC-1200	
<b>3 Axes Travel</b>							
X-axis Travel	mm(inch)	510 (20.1)	710 (28)	410/1200 (16.1x47.2)			
Y-axis Travel	mm(inch)	420 (16.5)	420 (16.5)	410 (16.1)			
Z-axis Travel	mm(inch)	350 (13.8)	350 (13.8)	420 (16.5)			
Distance From Spindle Center To Table Surface	mm(inch)	180-530 (7.1-20.9)	180-530 (7.1-20.9)	200-620 (7.9x24)			
<b>Spindle</b>							
Spindle Speed	rpm	Direct Driven 12,000 (M.S)		Direct Driven 12,000 (M.S)		Direct Driven 12,000 (M.S)	
Spindle Nose	BT	BT-30		BT-30		BT-30	
Spindle Motor (Continual / 30 min)	kw(hp)	3.7/5.5 (5/7.3)	3.7/5.5 (5/7.3)	5.5/7.5 (7.3/10)			
<b>Table</b>							
Table Size	mm(inch)	650x420 (25.6x16.5)	850x420 (33.5x16.5)	410x1350 (16.1x53.1)			
T-slot Size	mm(inch)	14x3x100 (0.55x3x3.9)	14x3x100 (0.55x3x3.9)	14x3x100 (0.55x3x3.9)			
Max Table Capacity	kgs(lbs)	250 (550)	250 (550)	300/600 (660/1320)			
<b>Rapid Travel</b>							
Rapid Travel (X/Y/Z)	m/min(ipm)	48/48/48 (1889/1889/1889)		48/48/48 (1889/1889/1889)		48/48/48 (1889/1889/1889)	
Cutting Speed Rate	mm/min(ipm)	1-10000 (40-393)		1-10000 (40-393)		1-10000 (40-393)	
Feed Motor (X/Y/Z)	kw	1.5/1.5/2.2 (M) 1.2/1.2/1.8 (F) 2.29/2.29/3.04 (S)		1.5/1.5/2.2 (M) 1.2/1.2/1.8 (F) 2.29/2.29/3.04 (S)		3.5/3.5/3.5(M)	
<b>Tool Magazine</b>							
Tool Change Type		Turret Type		Turret Type		Arm	
Tool Capacity	set	16		16		20	
Max. Tool Weight	kgs(lbs)	3 (6.6)	3 (6.6)	3 (6.6)	3 (6.6)	3 (6.6)	3 (6.6)
Max. Tool Length	mm(inch)	200 (7.8)	200 (7.8)	200 (7.8)	200 (7.8)	200 (7.8)	200 (7.8)
Max. Tool Diameter	mm(inch)	90 (3.5)	90 (3.5)	75 (2.9)			
Tool Change Time (T-T)	sec	2.3(std.) / 1.7(opt.)		2.3(std.) / 1.7(opt.)		1.7	
Tool Change Time (C-C)	sec	3		3		2.5	
<b>Others</b>							
Compress Air Supply	kgs/cm²(psi)	6 (100)	6 (100)	6 (100)	6 (100)	6 (100)	6 (100)
Machine Dimension (L×W×H)	mm(inch)	2416x1686x2432 (95.1x66.4x95.8)		2416x2136x2432 (95.1x84.1x95.8)		2890x2671x2430 (113.8x105.2x95.7)	
Net Weight	kgs(lbs)	2850 (6283)	3320 (7319)	6200 (13668)			
Gross Weight	kgs(lbs)	2950 (6503)	3450 (7605)	6640 (14638)			

\* All specifications design and characteristics shown in this catalogue are subject to change without prior notice.

\* L.K. Machinery Corp will not be legally responsible for any unauthorized modification on the machine or other equipment.

### Standard & Optional Equipment

- Direct Driven 10,000rpm [ F ]
- Direct Driven 12,000rpm [ S.M ]
- Turret Type 16 Tools
- BT-30
- MAS P30-1
- Spindle Tool Change Air Blow
- Side Flush System
- MPG Hand Wheel
- Full Body Enclosure
- Work Light
- Tri color indicator Lamp
- Leveling Bolts & Pads
- Tool Box
- Heat Exchanger
- One Year Mechanical Parts Warranty
- Automatic Lubrication System
- Safty Door
- Direct Driven 15,000rpm [ S.M.F ]
- Direct Driven 20,000rpm [ S.M.F ]
- Built In 24,000rpm [ S ]
- Turret Type 21 Tools (Servo)
- Arm Type 20 Tools (Z-axis Travel 530mm/20.8inch)
- Automatic Lubrication System
- CTS (Coolant Through Spindle)
- Spindle Oil Coolant
- Link Type Chip Conveyor
- Rapid Traverses 60×60×60 m/min
- Tool Length Measurement System
- 4th Axis (CNC Rotary Table)
- 5th Axis (CNC Tiltting Table)
- Column Add 150mm
- Column Add 250mm
- Auto Door